

**Compact laser diode LD0450-120**



**Features**

^ Wavelength:  $\lambda=450\text{nm}$  (Type)

^ Output optical power: 80mW (CW) ^

Package: T0-18 (05.6mm)

**Applications**

^ Industrial Use

**Absolute Maximum Rating at  $T_c=25V$**

Items	Symbols	Values	Unit
Optical Output Power	Po (CW)	120	mW
Laser Diode Reverse Voltage	Vr	2	V
Operating Temperature	ToPr	-40~+70	
Storage Temperature	Tsta	-40~+85	

**Electrical and Optical Characteristics at  $T_c=25V$**

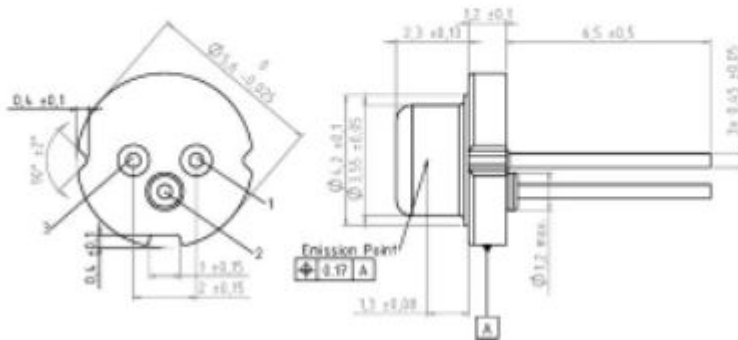
Items	Symbols	Min	Type	Max.	Unit	Condition
Optical Output Power	Po	-	120	-	mW	CW
Threshold Current	Ith	-	30	60	mA	CW
Operating Current	Iop	-	100	145	mA	
Operating Voltage	Vop	-	5.8	7.0	V	
Laser Wavelength	$\lambda$	440	450	460	nm	

1) Measurement condition: CW

2) Full angle at half maximum.

**Compact laser diode LD0450-120**

**Maßzeichnung  
Package Outlines**



Maße in mm / Dimensions in mm

**Pinbelegung Pin  
Connection**

